



Kartáčovna Koloveč

new

FLEXIBLE BRUSH LATHS

Semi-finished products are made of flexible material and have grooves for fixing to a metal sheet with thickness from 1- 3 mm. Standard lengths are 25 mm long windings.

The lath may be fitted with a filling material in the horizontal plane or at an angle of 90 degrees to the horizontal plane as with the F profile bar.

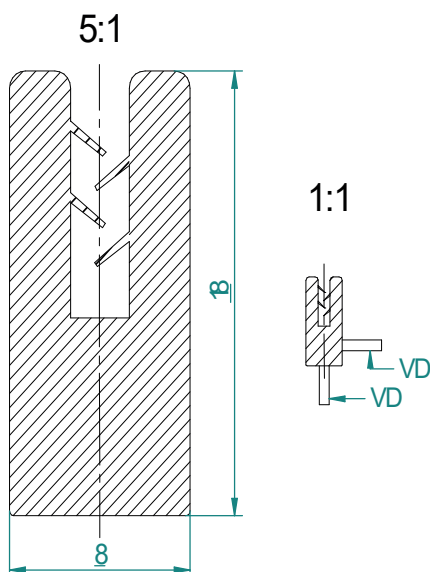
Profile 18x8 mm - groove suitable for metal sheet 0.6-1.5mm

Profile 23x10mm - groove suitable for metal sheet 1.6 - 3 mm

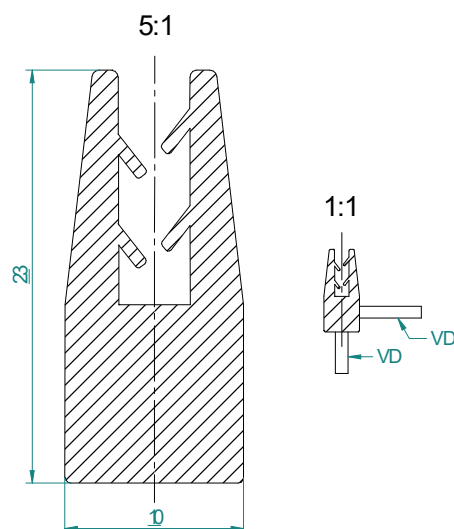
Standard dimensions in mm:

TYPE	T - body height in mm	S - body width in mm	R - hole diameter in mm	Filling material	Visible length in mm
Flexible brush lath	18	8	3,5	PA or PPN	15,3
	23	10	4		15,3

Profile 18x8 mm



Profile 23x10mm



+420 379 420 331 | FAX +420 379 494 234 | DIČ/VAT: CZ45359571

www.kartacovnakolovec.cz | www.priemyselnekefy.sk | www.industrialbrushes.info

OBJEDNÁVKY/ORDERS | trade@kartacovnakolovec.cz | POPTÁVKY/INQUIRES | service@kartacovnakolovec.cz